

Series CERAM™, size 3



AVENTICS™ Series CERAM™, size 3



5/2-directional valve, Series CERAM™, size 3

- 5/2
- Qn = 4300 l/min
- Pilot valve width : 30 mm CNOMO
- Plate connection
- Electrical connection : Plug, EN 175301-803, form A
- Can be assembled into blocks
- Manual override : with detent, without detent
- single solenoid
- Pilot : Internal External



Activation	Electrically
Sealing principle	Ceramic
Blocking principle	Single base plate principle
Standards	ISO 5599-1, ISO 3
Working pressure min./max.	2 ... 10.3 bar
Control pressure min./max.	See table below
Ambient temperature min./max.	-15 ... 66 °C
Medium temperature min./max.	-15 ... 66 °C
Medium	Compressed air
Nominal flow Qn	4300 l/min
Compressed air connection	according to ISO 5599-1
Protection class according to NEMA	NEMA 4
Weight	1.19 kg

Part No.	Valve plug connector	basic valve with electrical connector
R432002454	Without valve plug connector	Basic valve without pilot valve
R432002457	Without valve plug connector	Basic valve without coil

Part No.	Mounting screw
R432006242	M8 with hexagon socket
R432006243	M8 with hexagon socket
R432030344	M8 with hexagon socket
R432006238	M8 with hexagon socket
R432006240	M8 with hexagon socket
R432002454	M5 with hexagon socket
R432002457	M8 with hexagon socket

Nominal flow Q_n at 6 bar and $\Delta p = 1$ bar

MO = Manual override

Technical information

The min. control pressure must be adhered to, since otherwise faulty switching and valve failure may result!

The pressure dew point must be at least 15 °C under ambient and medium temperature and may not exceed 3 °C .

The oil content of compressed air must remain constant during the life cycle.

Use only the approved oils from AVENTICS. Further information can be found in the "Technical information" document (available in the MediaCentre).

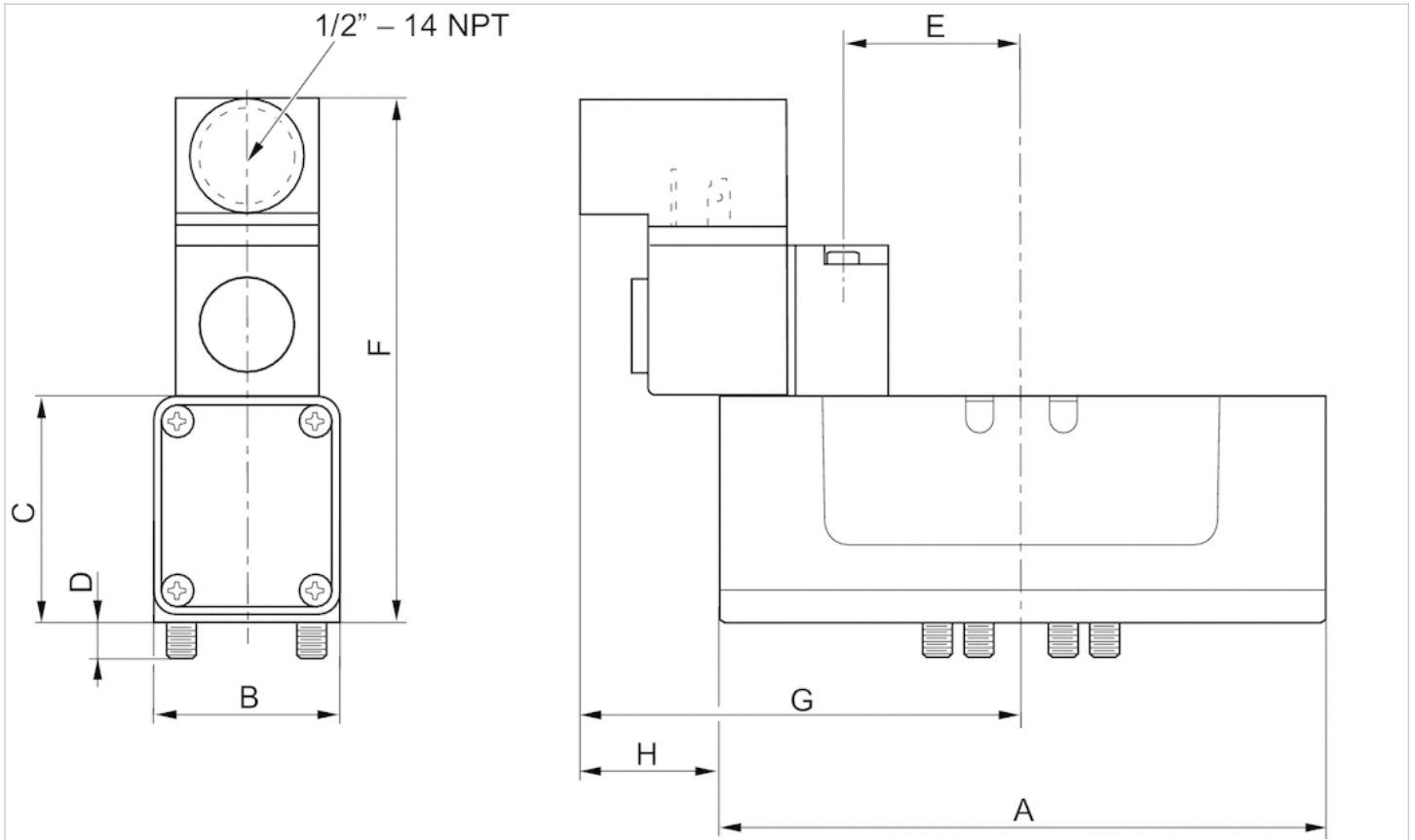
Technical information

Material

Housing	Die-cast aluminum, painted gray
---------	---------------------------------

Dimensions

Dimensions in inches



Dimensions in inches

Part No.	A	B	C	D	E	F	G	H
R432006242	7.54	2.71	2.59	0.41	1.62	5.23	4.18	1.05
R432006243	7.54	2.71	2.59	0.41	1.62	5.23	4.18	1.05
R432030344	7.54	2.71	2.59	0.41	1.62	5.23	4.18	1.05
R432006238	7.54	2.71	2.59	0.41	1.62	5.23	4.18	1.05
R432006240	7.54	2.71	2.59	0.41	1.62	5.23	4.18	1.05
-	-	-	-	-	-	-	-	-
R432002457	7.54	2.71	2.59	0.41	1.62	5.23	4.18	1.05

5/2-directional valve, Series CERAM™, size 3

- 5/2
- Qn = 4300 l/min
- Pilot valve width : 30 mm CNOMO
- Plate connection
- Electrical connection : Plug, EN 175301-803, form A
- Can be assembled into blocks
- Manual override : with detent, without detent
- single solenoid
- With air spring return
- Pilot : Internal External



Activation	Electrically
Sealing principle	Ceramic
Blocking principle	Single base plate principle
Standards	ISO 5599-1, ISO 3
Working pressure min./max.	See table below
Control pressure min./max.	See table below
Ambient temperature min./max.	See table below
Medium temperature min./max.	See table below
Medium	Compressed air
Nominal flow Qn	4300 l/min
Compressed air connection	according to ISO 5599-1
Protection class according to NEMA	NEMA 4
Weight	1.97 kg

Part No.	Control pressure min./max.	Ambient temperature min./max.	Medium temperature min./max.
R432002455	-0.8 ... 10.3 bar	-15 ... 66 °C	-15 ... 66 °C
R432002458	2.5 ... 10.3 bar	-16 ... 66 °C	-16 ... 66 °C

Part No.	Valve plug connector	basic valve with electrical connector
R432030345	Without valve plug connector	-
R432006244	Without valve plug connector	-
R432030343	Without valve plug connector	-
R432006239	Without valve plug connector	-
R432006241	Without valve plug connector	-
R432002455	Without valve plug connector	Basic valve without coil
R432002458	Without valve plug connector	Basic valve without coil

Part No.	Mounting screw
R432030345	M8 with hexagon socket
R432006244	M8 with hexagon socket
R432030343	M8 with hexagon socket
R432006239	M8 with hexagon socket
R432006241	M8 with hexagon socket
R432002455	M5 with hexagon socket
R432002458	M8 with hexagon socket

Nominal flow Q_n at 6 bar and $\Delta p = 1$ bar

MO = Manual override

Technical information

The min. control pressure must be adhered to, since otherwise faulty switching and valve failure may result!

The pressure dew point must be at least 15 °C under ambient and medium temperature and may not exceed 3 °C .

The oil content of compressed air must remain constant during the life cycle.

Use only the approved oils from AVENTICS. Further information can be found in the "Technical information" document (available in the MediaCentre).

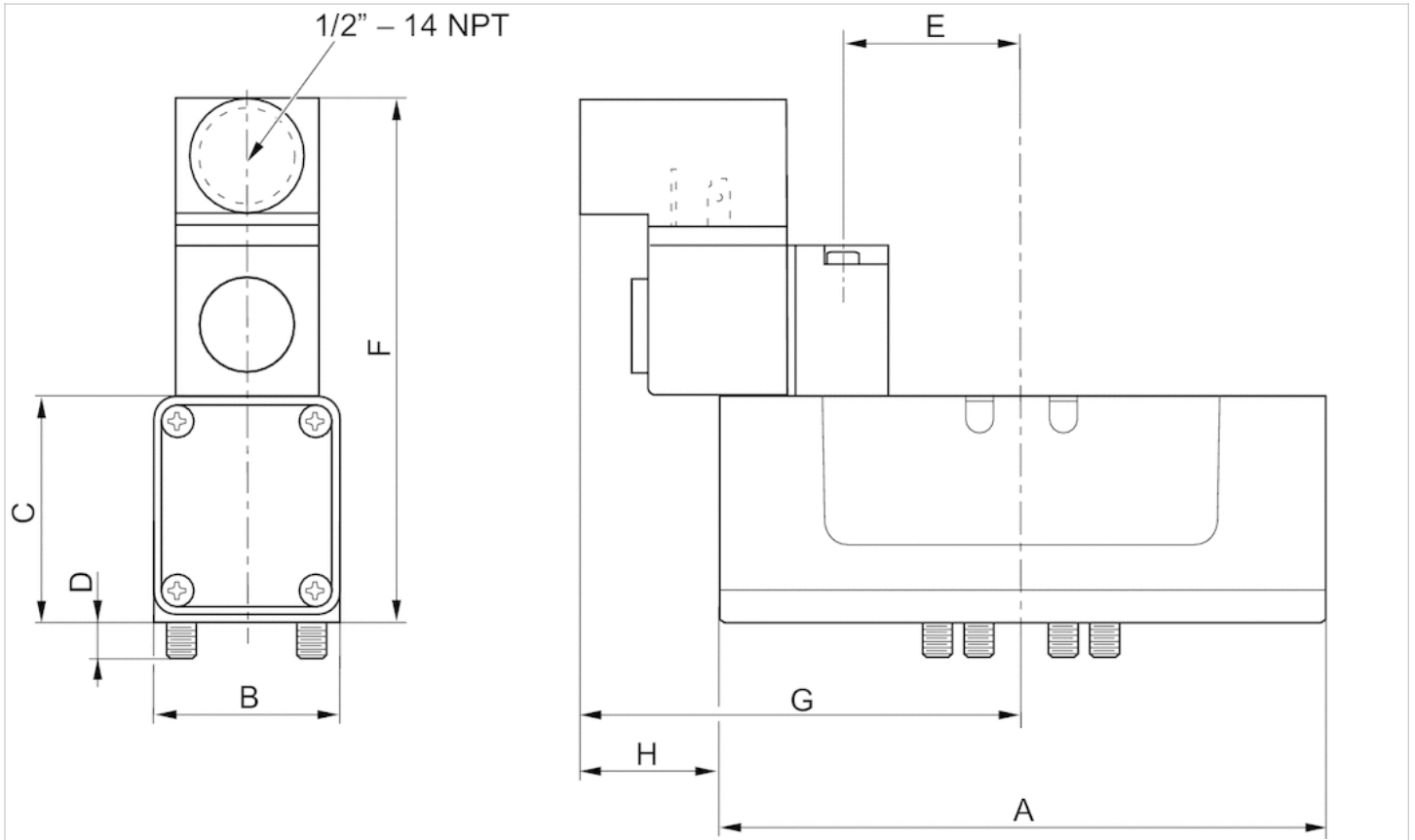
Technical information

Material

Housing	Die cast zinc, painted gray Die-cast aluminum, painted gray
---------	---

Dimensions

Dimensions in inches

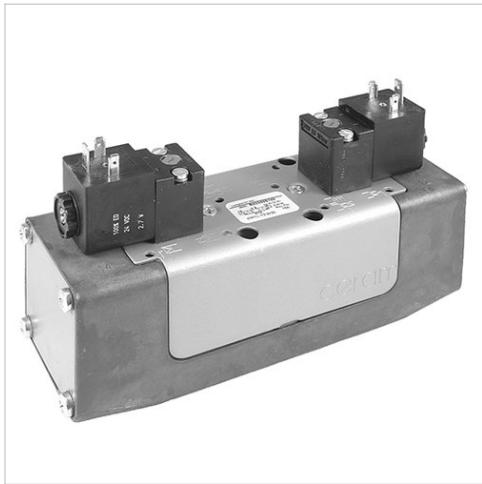


Dimensions in inches

Part No.	A	B	C	D	E	F	G	H
R432030345	7.54	2.71	2.59	0.41	1.62	5.23	4.18	1.05
R432006244	7.54	2.71	2.59	0.41	1.62	5.23	4.18	1.05
R432030343	7.54	2.71	2.59	0.41	1.62	5.23	4.18	1.05
R432006239	7.54	2.71	2.59	0.41	1.62	5.23	4.18	1.05
R432006241	7.54	2.71	2.59	0.41	1.62	5.23	4.18	1.05
-	-	-	-	-	-	-	-	-
R432002458	7.54	2.71	2.59	0.41	1.62	5.23	4.18	1.05

5/2-directional valve, Series CERAM™, size 3

- 5/2
- Qn = 4300 l/min
- Pilot valve width : 30 mm CNOMO
- Plate connection
- Electrical connection : Plug, EN 175301-803, form A
- Can be assembled into blocks
- Manual override : with detent, without detent
- double solenoid single solenoid
- Pilot : Internal External



Activation	Electrically
Sealing principle	Ceramic
Blocking principle	Single base plate principle
Standards	ISO 5599-1, ISO 3
Working pressure min./max.	0 ... 10.3 bar
Control pressure min./max.	See table below
Ambient temperature min./max.	-15 ... 66 °C
Medium temperature min./max.	-15 ... 66 °C
Medium	Compressed air
Nominal flow Qn	4300 l/min
Compressed air connection	according to ISO 5599-1
Protection class according to NEMA	NEMA 4
Weight	See table below

Part No.	Typ. switch-on time	Typ. switch-off time	Valve plug connector
R432002456	-	-	Without valve plug connector
R432002459	-	-	Without valve plug connector

Part No.	basic valve with electrical connector	Mounting screw	Weight
R432006267	-	M8 with hexagon socket	2.26 kg
R432030342	-	M8 with hexagon socket	2.26 kg
R432030341	-	M8 with hexagon socket	2.26 kg
R432006265	-	M8 with hexagon socket	2.26 kg
R432006266	-	M8 with hexagon socket	2.26 kg
R432002456	Basic valve without coil	M5 with hexagon socket	1.87 kg
R432002459	Basic valve without coil	M8 with hexagon socket	1.87 kg

Nominal flow Q_n at 6 bar and $\Delta p = 1$ bar

MO = Manual override

Technical information

The min. control pressure must be adhered to, since otherwise faulty switching and valve failure may result!

The pressure dew point must be at least 15 °C under ambient and medium temperature and may not exceed 3 °C .

The oil content of compressed air must remain constant during the life cycle.

Use only the approved oils from AVENTICS. Further information can be found in the "Technical information" document (available in the MediaCentre).

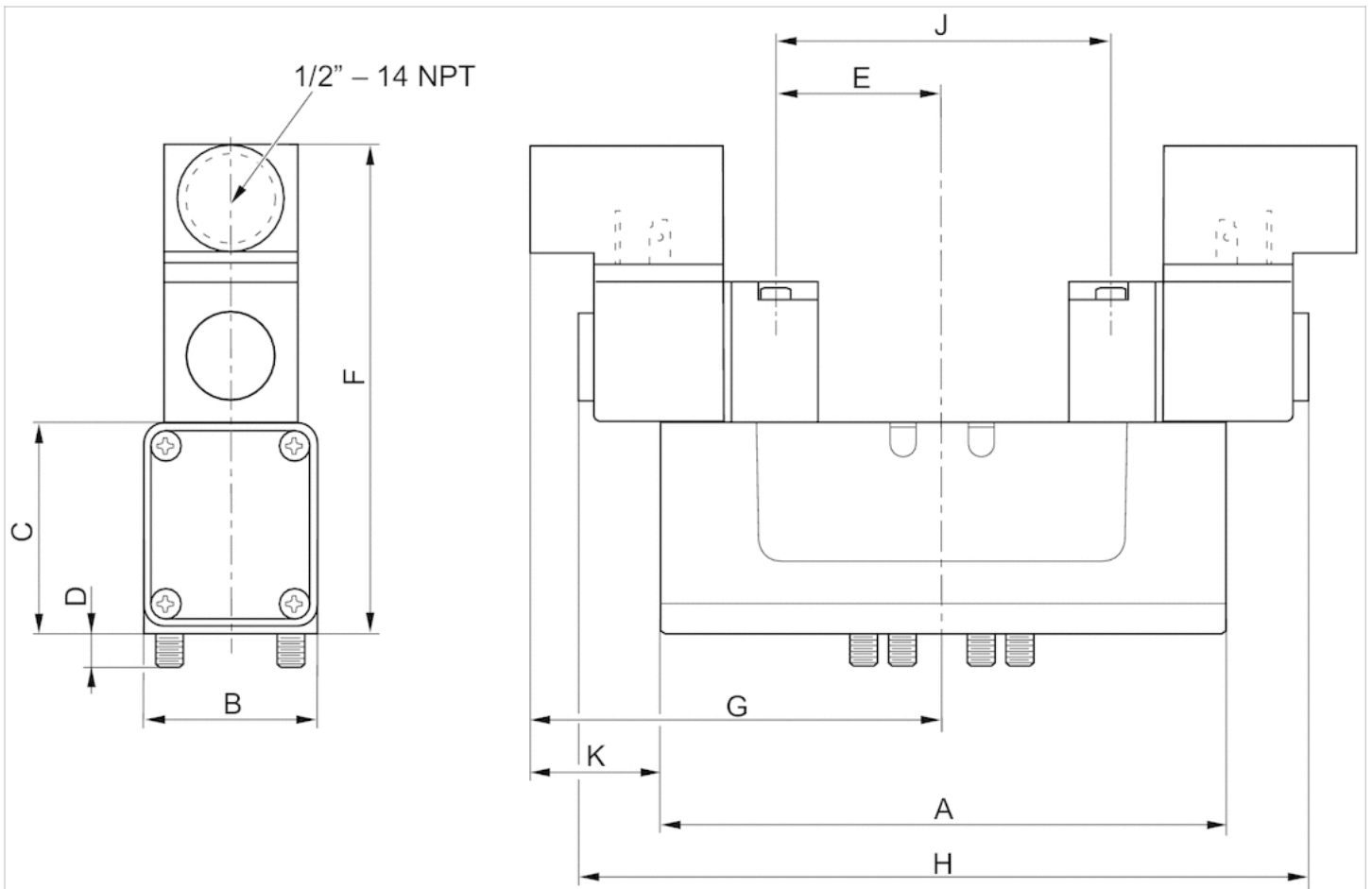
Technical information

Material

Housing	Die-cast aluminum, painted gray
---------	---------------------------------

Dimensions

Dimensions in inches

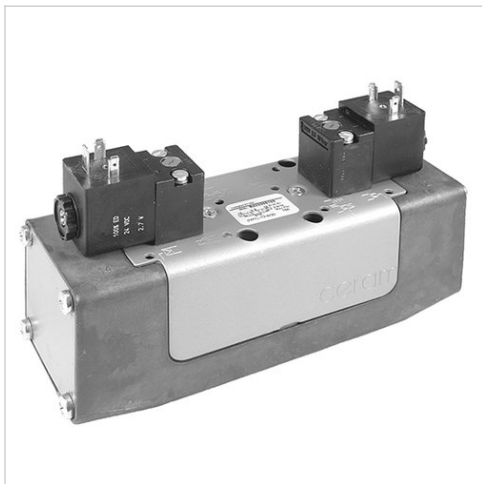


Dimensions in inches

Part No.	A	B	C	D	E	F	G	H	J	K
R432006267	7.54	2.71	2.59	0.41	1.62	5.23	4.18	8.36	3.25	1.05
R432030342	7.54	2.71	2.59	0.41	1.62	5.23	4.18	8.36	3.25	1.05
R432030341	7.54	2.71	2.59	0.41	1.62	5.23	4.18	8.36	3.25	1.05
R432006265	7.54	2.71	2.59	0.41	1.62	5.23	4.18	8.36	3.25	1.05
R432006266	7.54	2.71	2.59	0.41	1.62	5.23	4.18	8.36	3.25	1.05
-	-	-	-	-	-	-	-	-	-	-
R432002459	7.54	2.71	2.59	0.41	1.62	5.23	4.18	8.36	3.25	1.05

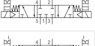
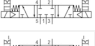

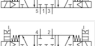


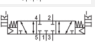

5/3-directional valve, Series CERAM™, size 3

- 5/3
- $Q_n = 4300$ l/min
- Pilot valve width : 30 mm CNOMO
- closed center
- Plate connection
- Electrical connection : Plug, EN 175301-803, form A
- Can be assembled into blocks
- Manual override : with detent, without detent
- double solenoid single solenoid
- Pilot : Internal External



Activation	Electrically
Sealing principle	Ceramic
Blocking principle	Single base plate principle
Standards	ISO 5599-1, ISO 3
Working pressure min./max.	See table below
Control pressure min./max.	See table below
Ambient temperature min./max.	-15 ... 66 °C
Medium temperature min./max.	-15 ... 66 °C
Medium	Compressed air
Nominal flow Q_n	4300 l/min
Compressed air connection	according to ISO 5599-1
Protection class according to NEMA	NEMA 4
Weight	See table below

Technical data

Part No.		MO	Compressed air connection	
				Pilot Exhaust
R432006198		TT R-R-TT R-R-TT R-R-TT R-R-	closed center	Base plate ISO 5599-1
R432006199			closed center	Base plate ISO 5599-1
R432030346			closed center	Base plate ISO 5599-1
R432006196			closed center	Base plate ISO 5599-1
R432006197			closed center	Base plate ISO 5599-1
R432002451			closed center	Base plate ISO 5599-1
R432002453			closed center	Base plate ISO 5599-1

Part No.	Operational voltage	Operational voltage	Operational voltage
	DC	AC 50 Hz	AC 60 Hz
R432006198	12 V	-	-
R432006199	24 V	-	-
R432030346	-	24 V	24 V
R432006196	-	110 V	120 V
R432006197	-	220 V	240 V
R432002451	-	-	-
R432002453	-	-	-

Part No.	Voltage tolerance	Voltage tolerance	Voltage tolerance	Power consumption
	DC	AC 50 Hz	AC 60 Hz	DC
R432006198	-10% / +10%	-	-	2.7 W
R432006199	-10% / +10%	-	-	2.7 W
R432030346	-	-10% / +10%	-10% / +10%	-
R432006196	-	-10% / +10%	-10% / +10%	-
R432006197	-	-10% / +10%	-10% / +10%	-
R432002451	-	-	-	-
R432002453	-	-	-	-

Part No.	Holding power	Holding power	Switch-on power	Switch-on power	Pilot
	AC 50 Hz	AC 60 Hz	AC 50 Hz	AC 60 Hz	
R432006198	-	-	-	-	Internal
R432006199	-	-	-	-	Internal
R432030346	3.7 VA	3.7 VA	6.4 VA	6.4 VA	Internal
R432006196	3.7 VA	3.7 VA	6.4 VA	6.4 VA	Internal
R432006197	3.7 VA	3.7 VA	6.4 VA	6.4 VA	Internal
R432002451	-	-	-	-	External
R432002453	-	-	-	-	Internal

Part No.	Working pressure min./max.	Control pressure min./max.	Valve plug connector
R432006198	2 ... 10.3 bar	2.5 ... 10.3 bar	Without valve plug connector
R432006199	0 ... 10.3 bar	2.5 ... 10.3 bar	Without valve plug connector
R432030346	0 ... 10.3 bar	2.5 ... 10.3 bar	Without valve plug connector
R432006196	0 ... 10.3 bar	2.5 ... 10.3 bar	Without valve plug connector
R432006197	0 ... 10.3 bar	2.5 ... 10.3 bar	Without valve plug connector
R432002451	0 ... 10.3 bar	-0.8 ... 10.3 bar	Without valve plug connector

Part No.	Working pressure min./max.	Control pressure min./max.	Valve plug connector
R432002453	0 ... 10.3 bar	2.5 ... 10.3 bar	Without valve plug connector

Part No.	basic valve with electrical connector	Mounting screw	Weight
R432006198	-	M8 with hexagon socket	2.26 kg
R432006199	-	M8 with hexagon socket	2.26 kg
R432030346	-	M8 with hexagon socket	2.26 kg
R432006196	-	M8 with hexagon socket	2.26 kg
R432006197	-	M8 with hexagon socket	2.26 kg
R432002451	Basic valve without coil	M5 with hexagon socket	2.01 kg
R432002453	Basic valve without coil	M8 with hexagon socket	2.01 kg

Nominal flow Q_n at 6 bar and $\Delta p = 1$ bar

MO = Manual override

Technical information

The min. control pressure must be adhered to, since otherwise faulty switching and valve failure may result!

The pressure dew point must be at least 15 °C under ambient and medium temperature and may not exceed 3 °C .

The oil content of compressed air must remain constant during the life cycle.

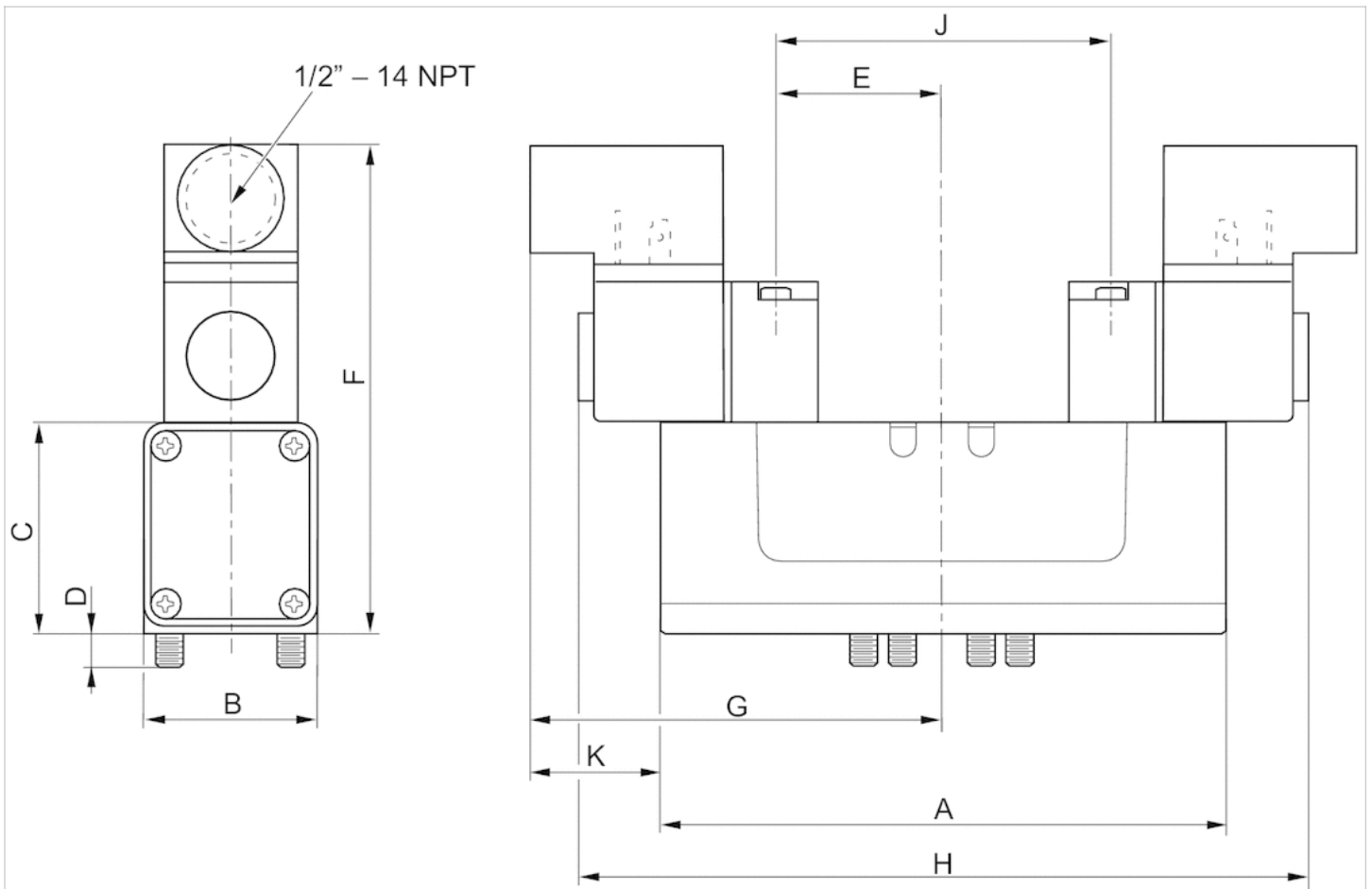
Use only the approved oils from AVENTICS. Further information can be found in the "Technical information" document (available in the MediaCentre).

Technical information

Material	
Housing	Die-cast aluminum, painted gray

Dimensions

Dimensions in inches

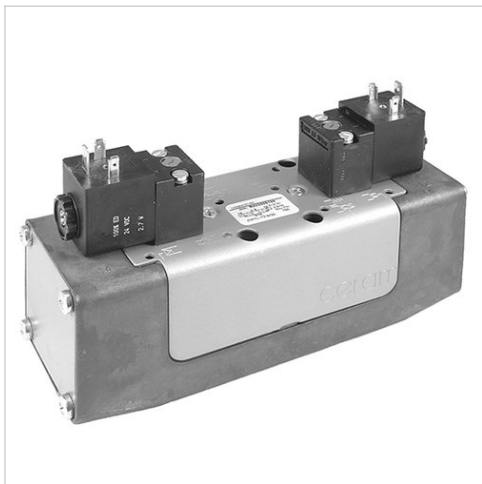


Dimensions in inches

Part No.	A	B	C	D	E	F	G	H	J	K
R432006198	7.54	2.71	2.59	0.41	1.62	5.23	4.18	8.36	3.25	1.05
R432006199	7.54	2.71	2.59	0.41	1.62	5.23	4.18	8.36	3.25	1.05
R432030346	7.54	2.71	2.59	0.41	1.62	5.23	4.18	8.36	3.25	1.05
R432006196	7.54	2.71	2.59	0.41	1.62	5.23	4.18	8.36	3.25	1.05
R432006197	7.54	2.71	2.59	0.41	1.62	5.23	4.18	8.36	3.25	1.05
-	-	-	-	-	-	-	-	-	-	-
R432002453	7.54	2.71	2.59	0.41	1.62	5.23	4.18	8.36	3.25	1.05

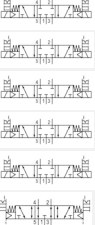
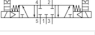

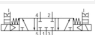
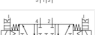
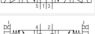
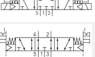
5/3-directional valve, Series CERAM™, size 3

- 5/3
- $Q_n = 4300$ l/min
- Pilot valve width : 30 mm CNOMO
- exhausted center closed center
- Plate connection
- Electrical connection : Plug, EN 175301-803, form A
- Can be assembled into blocks
- Manual override : with detent, without detent
- double solenoid single solenoid
- Pilot : Internal External



Activation	Electrically
Sealing principle	Ceramic
Blocking principle	Single base plate principle
Standards	ISO 5599-1, ISO 3
Working pressure min./max.	0 ... 10.3 bar
Control pressure min./max.	See table below
Ambient temperature min./max.	-15 ... 66 °C
Medium temperature min./max.	-15 ... 66 °C
Medium	Compressed air
Nominal flow Q_n	4300 l/min
Compressed air connection	according to ISO 5599-1
Protection class according to NEMA	NEMA 4
mounting screws	M8 with hexagon socket
Weight	See table below

Technical data

Part No.		MO	Compressed air connection	
				Pilot Exhaust
R432006186		TT-R-TT-R-TT-R-TT-R-TT-R	exhausted center	Base plate ISO 5599-1
R432006187			exhausted center	Base plate ISO 5599-1
R432030359			exhausted center	Base plate ISO 5599-1
R432006184			exhausted center	Base plate ISO 5599-1
R432006185			exhausted center	Base plate ISO 5599-1
R432002450			closed center	Base plate ISO 5599-1

Part No.	Operational voltage	Operational voltage	Operational voltage
	DC	AC 50 Hz	AC 60 Hz
R432006186	12 V	-	-
R432006187	24 V	-	-
R432030359	-	24 V	24 V
R432006184	-	110 V	120 V
R432006185	-	220 V	240 V
R432002450	-	-	-

Part No.	Voltage tolerance	Voltage tolerance	Voltage tolerance	Power consumption
	DC	AC 50 Hz	AC 60 Hz	DC
R432006186	-10% / +10%	-	-	2.7 W
R432006187	-10% / +10%	-	-	2.7 W
R432030359	-	-10% / +10%	-10% / +10%	-
R432006184	-	-10% / +10%	-10% / +10%	-
R432006185	-	-10% / +10%	-10% / +10%	-
R432002450	-	-	-	-

Part No.	Holding power	Holding power	Switch-on power	Switch-on power	Pilot
	AC 50 Hz	AC 60 Hz	AC 50 Hz	AC 60 Hz	
R432006186	-	-	-	-	Internal
R432006187	-	-	-	-	Internal
R432030359	3.7 VA	3.7 VA	6.4 VA	6.4 VA	Internal
R432006184	3.7 VA	3.7 VA	6.4 VA	6.4 VA	Internal
R432006185	3.7 VA	3.7 VA	6.4 VA	6.4 VA	Internal
R432002450	-	-	-	-	External

Part No.	Control pressure min./max.	Valve plug connector
R432006186	2.5 ... 10.3 bar	Without valve plug connector
R432006187	2.5 ... 10.3 bar	Without valve plug connector
R432030359	2.5 ... 10.3 bar	Without valve plug connector
R432006184	2.5 ... 10.3 bar	Without valve plug connector
R432006185	2.5 ... 10.3 bar	Without valve plug connector
R432002450	-0.8 ... 10.3 bar	Without valve plug connector

Part No.	basic valve with electrical connector	Weight
R432006186	-	2.26 kg

Part No.	basic valve with electrical connector	Weight
R432006187	-	2.26 kg
R432030359	-	-
R432006184	-	2.19 kg
R432006185	-	2.26 kg
R432002450	Basic valve without coil	-

Nominal flow Q_n at 6 bar and $\Delta p = 1$ bar

MO = Manual override

Technical information

The min. control pressure must be adhered to, since otherwise faulty switching and valve failure may result!

The pressure dew point must be at least 15 °C under ambient and medium temperature and may not exceed 3 °C .

The oil content of compressed air must remain constant during the life cycle.

Use only the approved oils from AVENTICS. Further information can be found in the "Technical information" document (available in the MediaCentre).

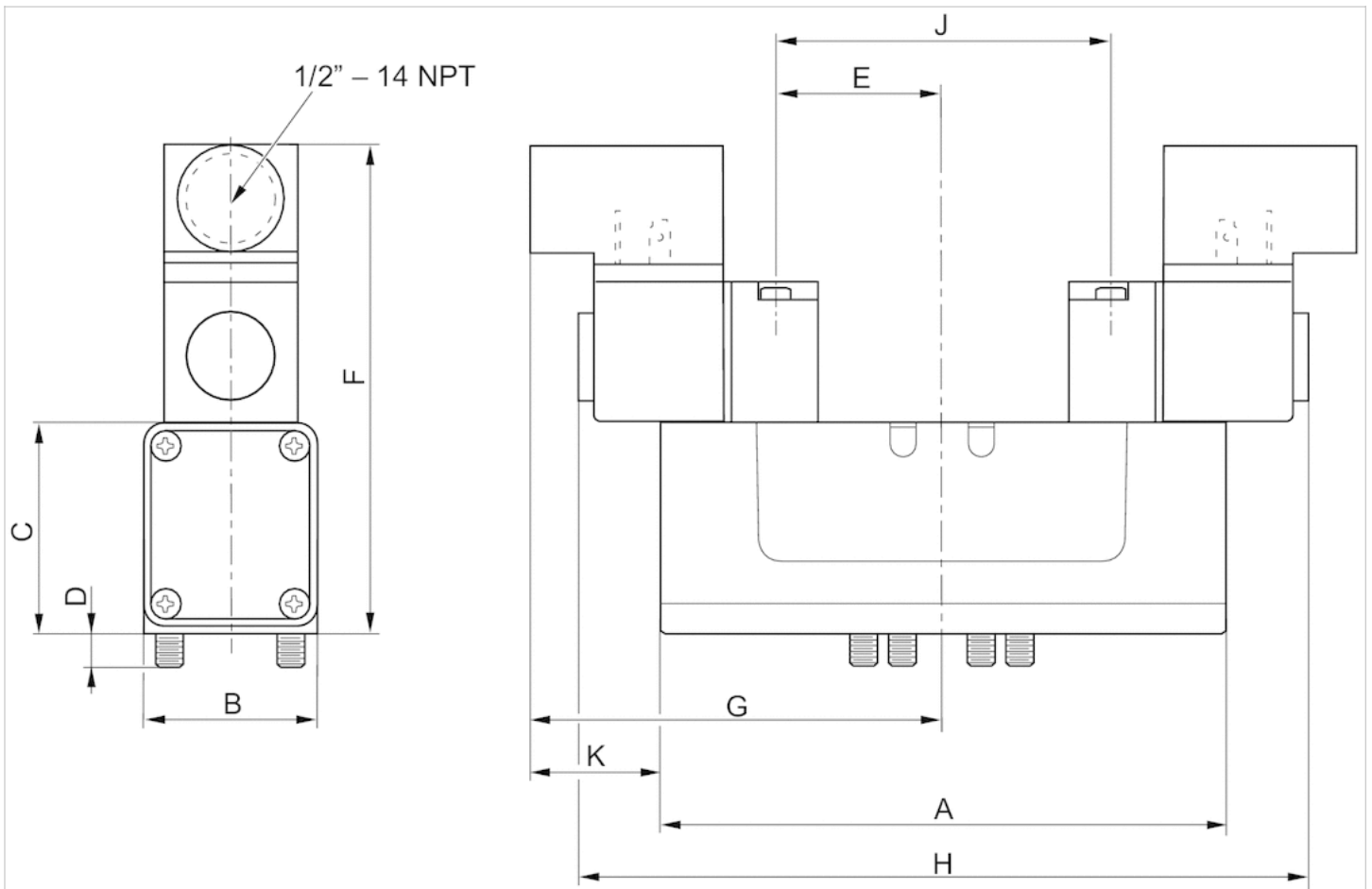
Technical information

Material

Housing	Die-cast aluminum, painted gray
---------	---------------------------------

Dimensions

Dimensions in inches



Dimensions in inches

Part No.	A	B	C	D	E	F	G	H	J	K
R432006186	7.54	2.71	2.59	0.41	1.62	5.23	4.18	8.36	3.25	1.05
R432006187	7.54	2.71	2.59	0.41	1.62	5.23	4.18	8.36	3.25	1.05
R432030359	7.54	2.71	2.59	0.41	1.62	5.23	4.18	8.36	3.25	1.05
R432006184	7.54	2.71	2.59	0.41	1.62	5.23	4.18	8.36	3.25	1.05
R432006185	7.54	2.71	2.59	0.41	1.62	5.23	4.18	8.36	3.25	1.05
-	-	-	-	-	-	-	-	-	-	-

End plate right, Inch version

- standard ISO 5599-1
- Frame size ISO 1 ISO 2 ISO 3
- type C



Standards	ISO 5599-1
Working pressure min./max.	-0.95 ... 16 bar
Ambient temperature min./max.	-15 ... 70 °C
Medium temperature min./max.	-15 ... 70 °C
Medium	Compressed air
Weight	See table below

Technical data

Part No.	Frame size	Compressed air connection Input [1]	Compressed air connection Exhaust [3 / 5]	Weight
R432037652	ISO 1	3/8 NPT	3/8 NPT	0.32 kg
R432037654	ISO 2	3/4 NPT	3/4 NPT	0.491 kg
R432037656	ISO 3	1 NPT	1 NPT	1.32 kg

Scope of delivery incl. seal and mounting screws

Technical information

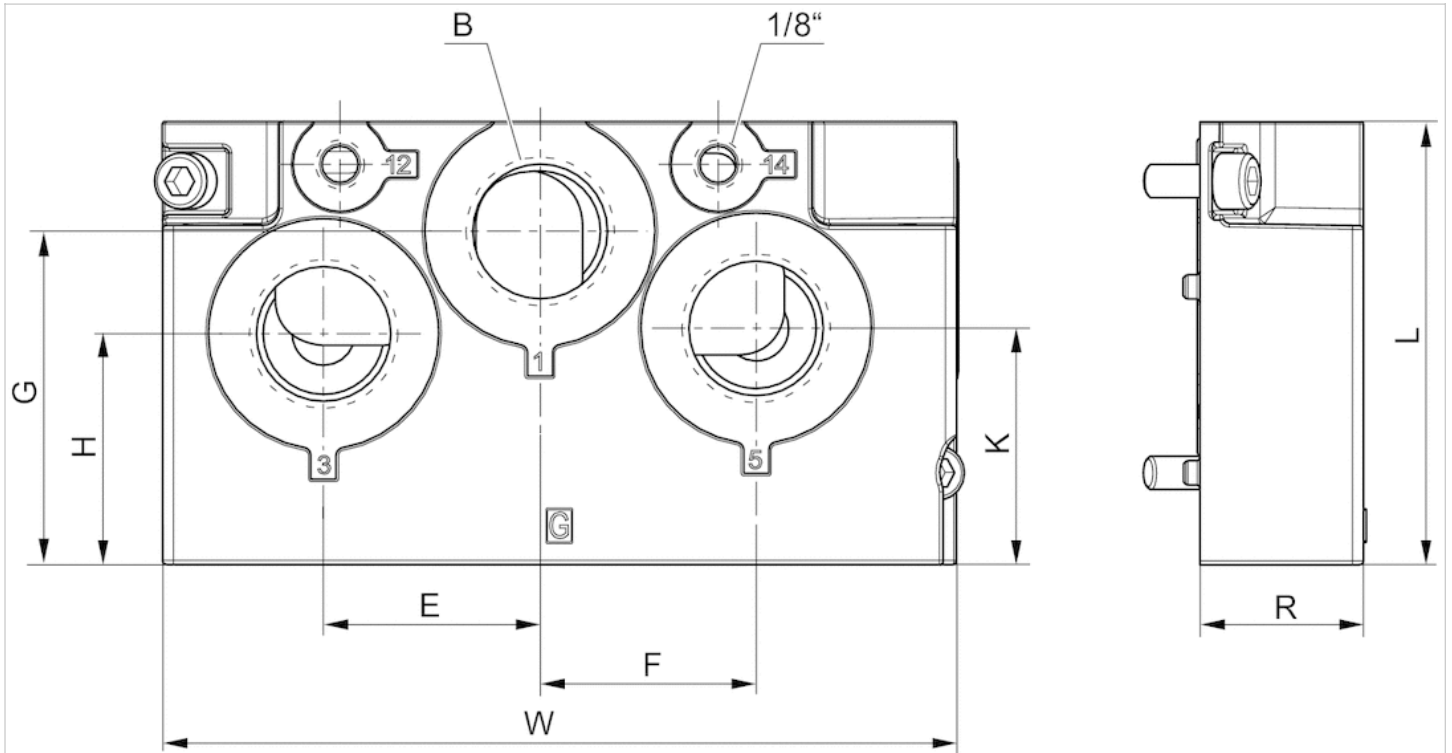
The min. control pressure must be adhered to, since otherwise faulty switching and valve failure may result!
 The pressure dew point must be at least 15 °C under ambient and medium temperature and may not exceed 3 °C .
 The oil content of compressed air must remain constant during the life cycle.
 Use only the approved oils from AVENTICS. Further information can be found in the "Technical information" document (available in the MediaCentre).

Technical information

Material	
Surface	Painted
Base plate	Die-cast aluminum, black painted
Seal	Acrylonitrile butadiene rubber

Dimensions

Dimensions



Dimensions

Part No.	E	F	G	H	J	K	W	Frame size
R432037652	23	18	15.5	30	20	37.5	135	ISO 1
R432037654	39	39	60	41.5	38	42.5	143	ISO 2
R432037656	49	49	76	53	32	53	53	ISO 3

End plate left

- standard ISO 5599-1
- Frame size ISO 1 ISO 2 ISO 3
- type C



Standards	ISO 5599-1
Working pressure min./max.	-0.95 ... 16 bar
Ambient temperature min./max.	-15 ... 70 °C
Medium temperature min./max.	-15 ... 70 °C
Medium	Compressed air
Weight	See table below

Technical data

Part No.	Frame size	Compressed air connection Input [1]	Compressed air connection Exhaust [3 / 5]	Weight
R432037646	ISO 1	3/8 NPT	3/8 NPT	0.309 kg
R432037648	ISO 2	3/4 NPT	3/4 NPT	0.509 kg
R432037650	ISO 3	1 NPT	1 NPT	1.31 kg

Scope of delivery incl. seal and mounting screws

Technical information

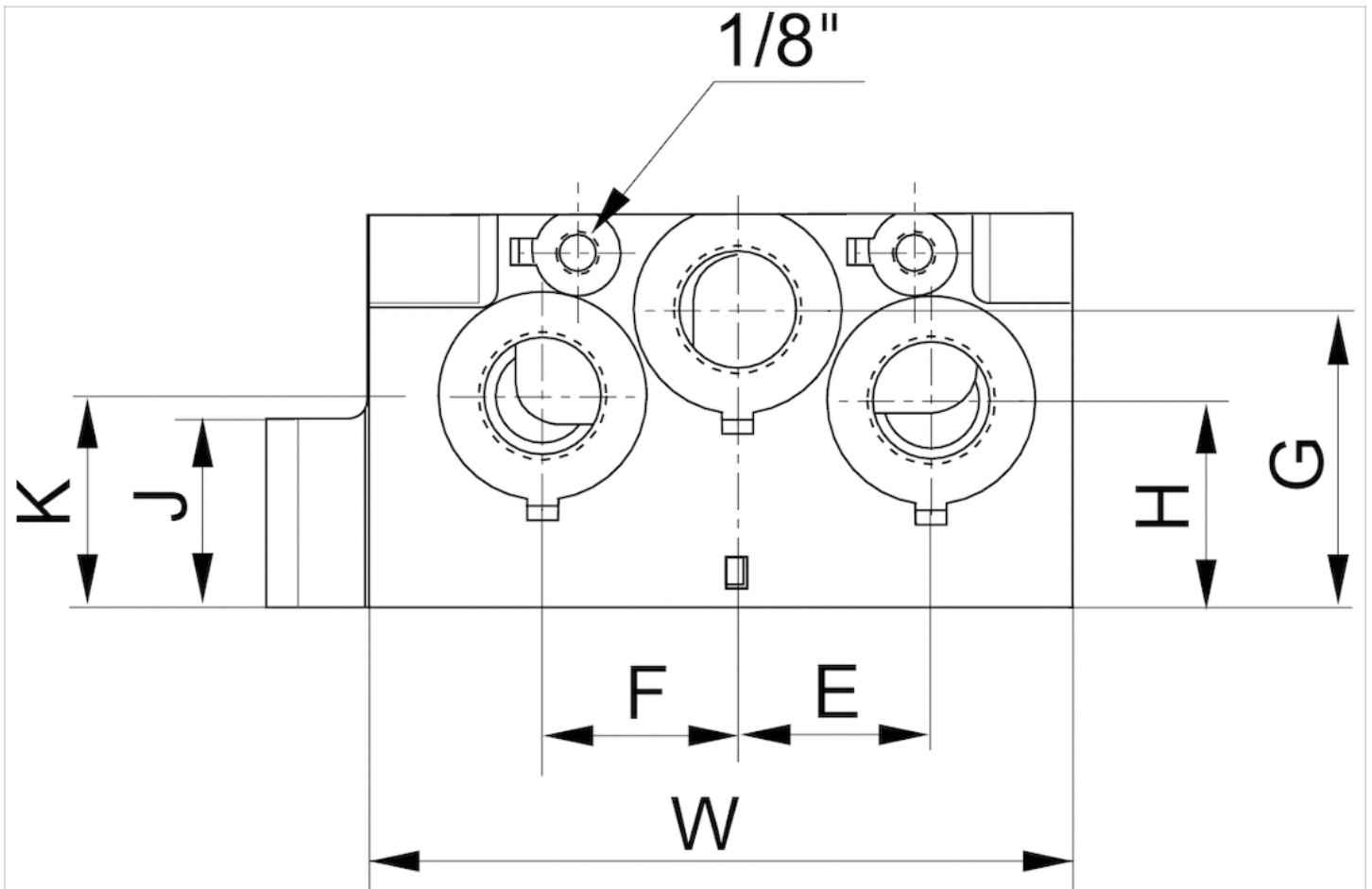
The min. control pressure must be adhered to, since otherwise faulty switching and valve failure may result!
 The pressure dew point must be at least 15 °C under ambient and medium temperature and may not exceed 3 °C .
 The oil content of compressed air must remain constant during the life cycle.
 Use only the approved oils from AVENTICS. Further information can be found in the "Technical information" document (available in the MediaCentre).

Technical information

Material	
Base plate	Die-cast aluminum
Seal	Acrylonitrile butadiene rubber

Dimensions

Dimensions



Dimensions

Part No.	E	F	G	H	J	K	W
R432037646	23	18	15.5	30	20	37.5	135
R432037648	39	39	60	41.5	38	42.5	143
R432037650	49	49	76	53	32	53	164

ISO 5599-1, Base and end plates, Inch version

- standard ISO 5599-1
- Frame size ISO 1 ISO 2 ISO 3
- type C
- Compressed air connection output 3/8 NPT 1/2 NPT 3/4 NPT
- Can be assembled into blocks



Standards	ISO 5599-1
Working pressure min./max.	-1 ... 16 bar
Ambient temperature min./max.	-20 ... 70 °C
Medium temperature min./max.	-20 ... 70 °C
Medium	Compressed air
Direction of pneumatic port (1)	Both directions possible
Direction of pneumatic port (3,5)	Both directions possible
Exhaust type	Ports separated
Weight	See table below

Technical data

Part No.	Frame size	Compressed air connection Output [2 / 4]	Weight
R432037640	ISO 1	3/8 NPT	0.592 kg
R432037642	ISO 2	1/2 NPT	1.04 kg
R432037644	ISO 3	3/4 NPT	1.89 kg

Scope of delivery incl. seal and mounting screws

Technical information

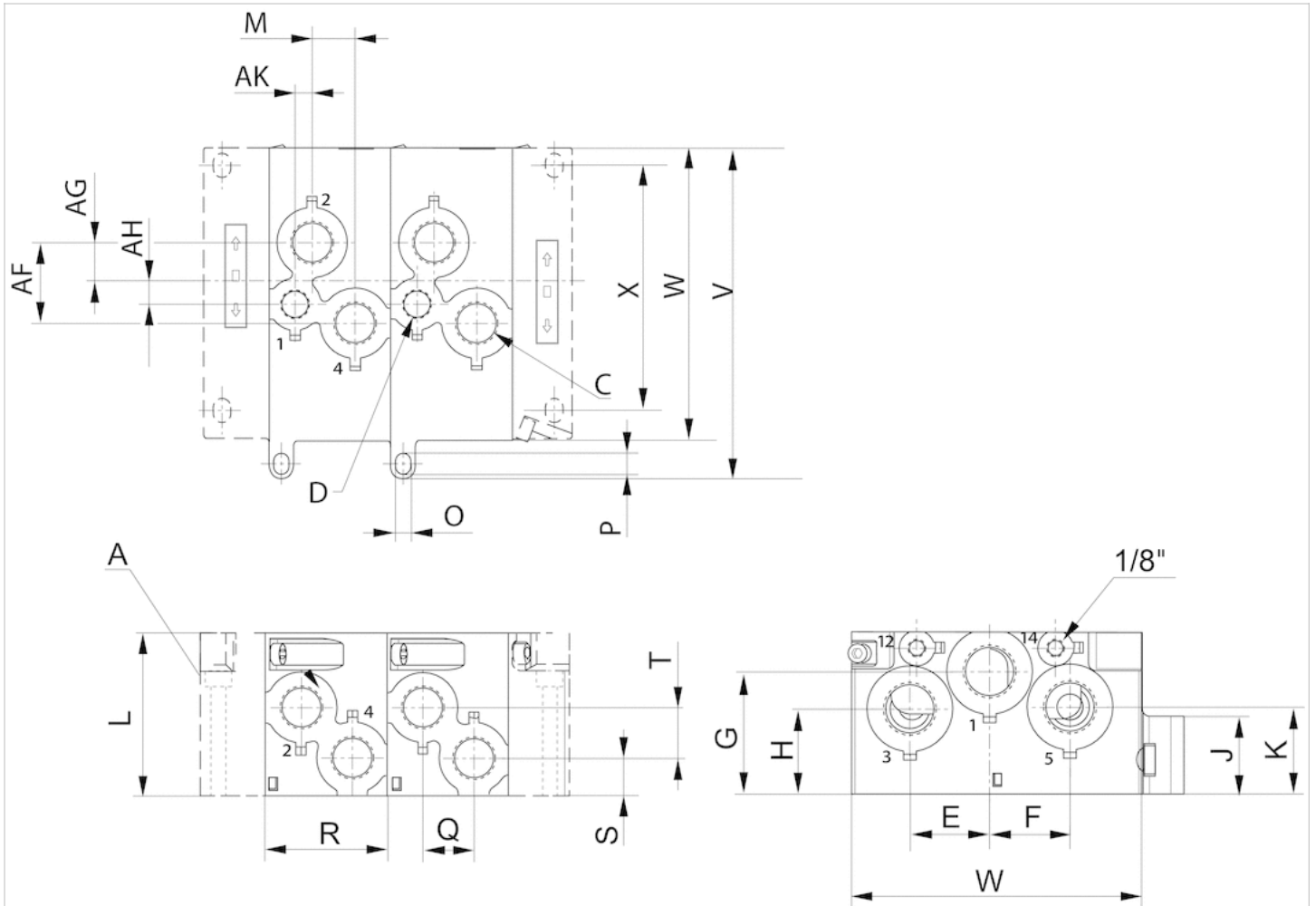
The min. control pressure must be adhered to, since otherwise faulty switching and valve failure may result!
 The pressure dew point must be at least 15 °C under ambient and medium temperature and may not exceed 3 °C .
 The oil content of compressed air must remain constant during the life cycle.
 Use only the approved oils from AVENTICS. Further information can be found in the "Technical information" document (available in the MediaCentre).

Technical information

Material	
Surface	painted
Base plate	Die-cast aluminum, black painted
Seal	Acrylonitrile butadiene rubber

Dimensions

Dimensions



A = left and right end plates in two versions

Dimensions

Part No.	A	D	C	F	G	H	K	L	M	O	P	R	Q	S	T
R432037640	1/4 NPT	-	3/8 NPT	23.8	11.8	-	-	60.6	12	5.5	8.5	45	18	13.3	14.7
R432037642	1/2 NPT	3/8 NPT	1/2 NPT	39.5	19	11	8.2	79.7	21	5.5	9.3	59.5	25	18	24.8
R432037644	3/4 NPT	1/2 NPT	3/4 NPT	46.3	25.1	11.2	15.8	100	22.5	6.3	9.3	80	38	24.5	20.5

Base plate

- standard ISO 5599-1
- Frame size ISO 3
- Compressed air connection output 1/2-14 NPTF 3/4-14 PTF



Standards	ISO 5599-1
Working pressure min./max.	3.5 ... 10 bar
Ambient temperature min./max.	10 ... 200 °C
Medium temperature min./max.	10 ... 120 °C
Medium	Compressed air
Direction of pneumatic port (1)	On the side
Direction of pneumatic port (3,5)	On the side
Exhaust (3,5)	With directional exhaust (3/5)
Exhaust type	Ports separated
Mounting screw	M8
Weight	0.54 kg

Technical data

Part No.	Compressed air connection Input [1]	Compressed air connection Output [2 / 4]
R432015308	1/2-14 NPTF	1/2-14 NPTF
R432015309	3/4-14 PTF	3/4-14 PTF

Part No.	Compressed air connection Exhaust [3 / 5]
R432015308	1/2-14 NPTF
R432015309	3/4-14 PTF

Technical information

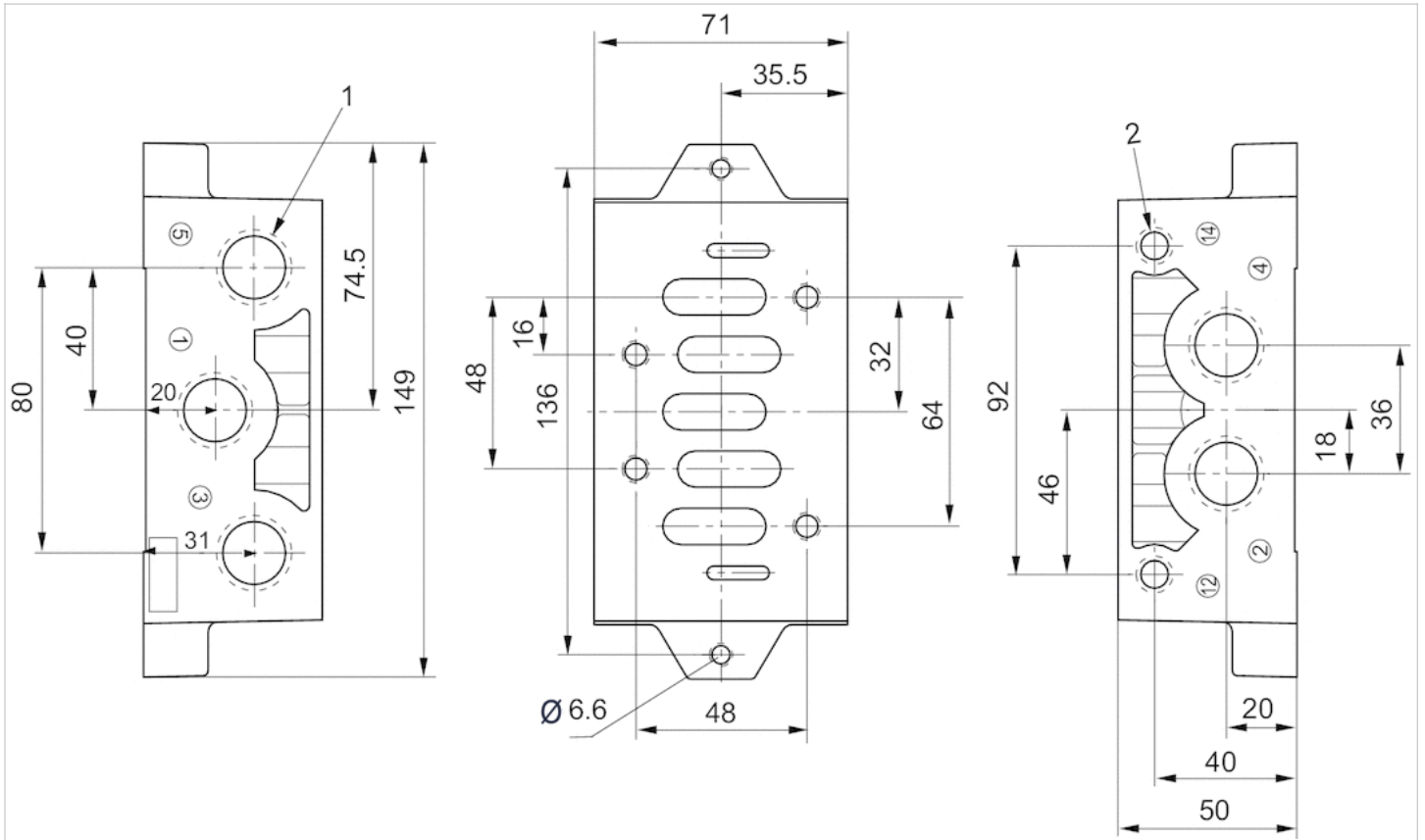
The min. control pressure must be adhered to, since otherwise faulty switching and valve failure may result!
 The pressure dew point must be at least 15 °C under ambient and medium temperature and may not exceed 3 °C .
 The oil content of compressed air must remain constant during the life cycle.
 Use only the approved oils from AVENTICS. Further information can be found in the "Technical information" document (available in the MediaCentre).

Technical information

Material	
Base plate	Die-cast aluminum

Dimensions

Dimensions in mm



- 1) Connections [1 ,3 ,5, 2, 4]
- 2) Connections [12, 14] G 1/8






Pressure regulator

- Qn = 1700 l/min
- standard ISO 5599-1
- Frame size ISO 3
- Controlled port 1 2 2, 4 4



Working pressure min./max.	12 bar
Adjustment range min./max.	0.5 ... 8 bar
Ambient temperature min./max.	-15 ... 50 °C
Medium	Compressed air
Max. particle size	5 µm
Oil content of compressed air	0 ... 5 mg/m ³
Nominal flow Qn	1700 l/min
Tightening torque for mounting screws	6 Nm
Weight	See table below
	The delivered product may vary from that in the illustration.

Technical data

Part No.		Frame size	Controlled port	Weight
R422103096		ISO 3	1	1.9 kg
R422103097		ISO 3	2	2.06 kg
R422103098		ISO 3	2, 4	2.8 kg
R422103167		ISO 3	1	1.9 kg
R422103168		ISO 3	4	2.06 kg

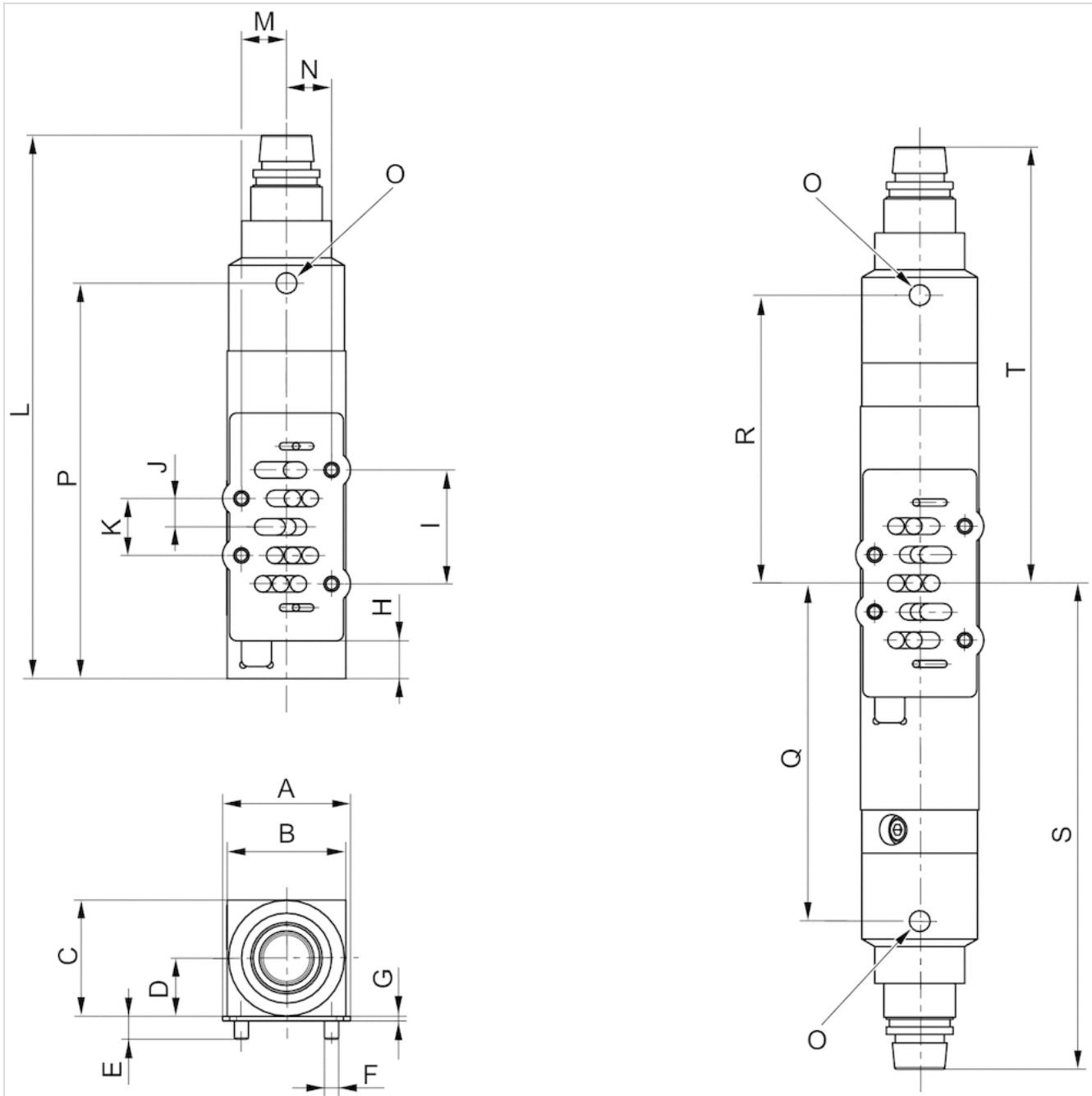
Scope of delivery incl. seal and mounting screws, Order pressure gauge separately, Nominal flow Qn at 6 bar and $\Delta p = 1$ bar .

Technical information

Material	
Housing	Aluminum
Seals	Butadiene rubber

Dimensions

Dimensions



Dimensions

Part No.	A	B	C	D	E	F	G	H	I	J	K	L	M	N	O	P	Q	R	S	T
R422103096	-	68	68	34	13.7	M8	2	19.2	64	16	32	288.8	24	24	G1/8	200.5	-	-	-	-
R422103097	-	68	68	34	13.7	M8	2	19.2	64	16	32	294.7	24	24	G1/8	206.5	-	-	-	-
R422103098	-	68	68	34	13.7	M8	2	19.2	64	16	32	-	24	24	G1/8	-	161.3	131.3	249.5	219.5
R422103167	-	68	68	34	13.7	M8	2	1.5	64	16	32	288.8	24	24	G1/8	-	-	-	-	-
R422103168	-	68	68	34	13.7	M8	2	1.5	64	16	32	307	24	24	G1/8	-	-	-	-	-

Blanking plate

- standard ISO 5599-1

- Frame size ISO 1 ISO 2 ISO 3 ISO 4



Standards	ISO 5599-1
Working pressure min./max.	-1 ... 16 bar
Ambient temperature min./max.	-20 ... 70 °C
Medium temperature min./max.	-20 ... 70 °C
Medium	Compressed air
Number of valve positions max.	1
Weight	See table below

Technical data

Part No.	Frame size	Weight
5801870000	ISO 1	0.055 kg
5802870000	ISO 2	0.1 kg
5803870000	ISO 3	0.21 kg
5804870000	ISO 4	0.27 kg

Scope of delivery incl. seal and mounting screws

Technical information

The min. control pressure must be adhered to, since otherwise faulty switching and valve failure may result!

The pressure dew point must be at least 15 °C under ambient and medium temperature and may not exceed 3 °C .

The oil content of compressed air must remain constant during the life cycle.

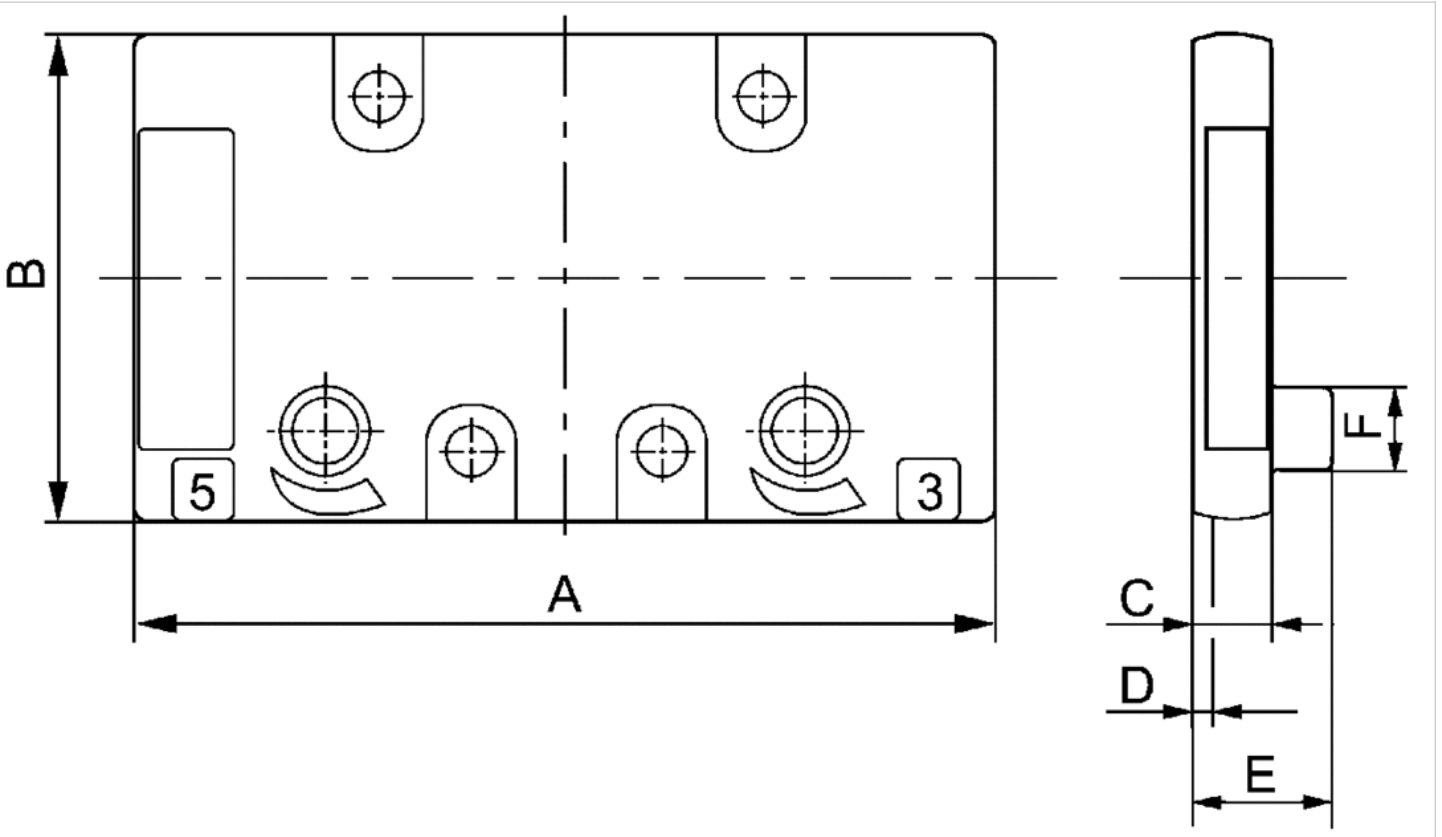
Use only the approved oils from AVENTICS. Further information can be found in the "Technical information" document (available in the MediaCentre).

Technical information

Material	
Housing	Die-cast aluminum, black painted
Base plate	Die-cast aluminum
Seal	Acrylonitrile butadiene rubber

Dimensions

Dimensions



Dimensions

Part No.	A	B	C	D	E	F	Weight
5801870000	69	39	7	2	–	–	0.055 kg
5802870000	86.4	49.4	9	2	–	–	0.1 kg
5803870000	116.5	63.5	10	2	15	12	0.21 kg
5804870000	142.5	74.5	10	2	20	15	0.27 kg

Valve plug connector, series CON-VP

- Socket, 2+E, angled, 90° Socket, 3+E, angled, 90°

- EN 175301-803

- unshielded

- with LED Yellow Red Green green/red



Connection type	Screws
Ambient temperature min./max.	-40 ... 90 °C
Operational voltage	See table below
Protection class	IP65
Mounting screw tightening torque	0.4 Nm
Weight	See table below

Technical data

Part No.	Electrical connection	Operational voltage	Max. current
1834484048	Socket 2+E angled 90°	-	10 A
1834484059	Socket 3+E angled 90°	-	10 A
1834484101	Socket 2+E angled 90°	24 V AC/DC	-
1834484102	Socket 2+E angled 90°	110 V AC	-
1834484103	Socket 2+E angled 90°	230 V AC	-
8941016112	Socket 2+E angled 90°	230 V AC	-
8941012462	Socket 3+E angled 90°	24 V DC	8 A

Part No.	Protective circuit	Contact assignment	LED status display	suitable cable-Ø min./max
1834484048	-	2+E	-	6 / 8 mm
1834484059	-	3+E	-	6 / 8 mm
1834484101	Z-diode	2+E	Yellow	6 / 8 mm
1834484102	Varistor	2+E	Red	6 / 8 mm
1834484103	Varistor	2+E	Red	6 / 8 mm
8941016112	Varistor	2+E	Green	6 / 10 mm
8941012462	-	3+E	green/red	4.5 / 11 mm

Part No.	Seal	Weight	
1834484048	caoutchouc/butadiene caoutchouc	0.03 kg	1)
1834484059	caoutchouc/butadiene caoutchouc	0.03 kg	1)
1834484101	Silicone caoutchouc	0.03 kg	2)
1834484102	caoutchouc/butadiene caoutchouc	0.03 kg	1)
1834484103	Silicone caoutchouc	0.025 kg	1)
8941016112	caoutchouc/butadiene caoutchouc	0.03 kg	1)
8941012462	caoutchouc/butadiene caoutchouc	0.03 kg	2)

- 1) Profile seal
- 2) Flat gasket

Technical information

The specified protection class is only valid in assembled and tested state.

Technical information

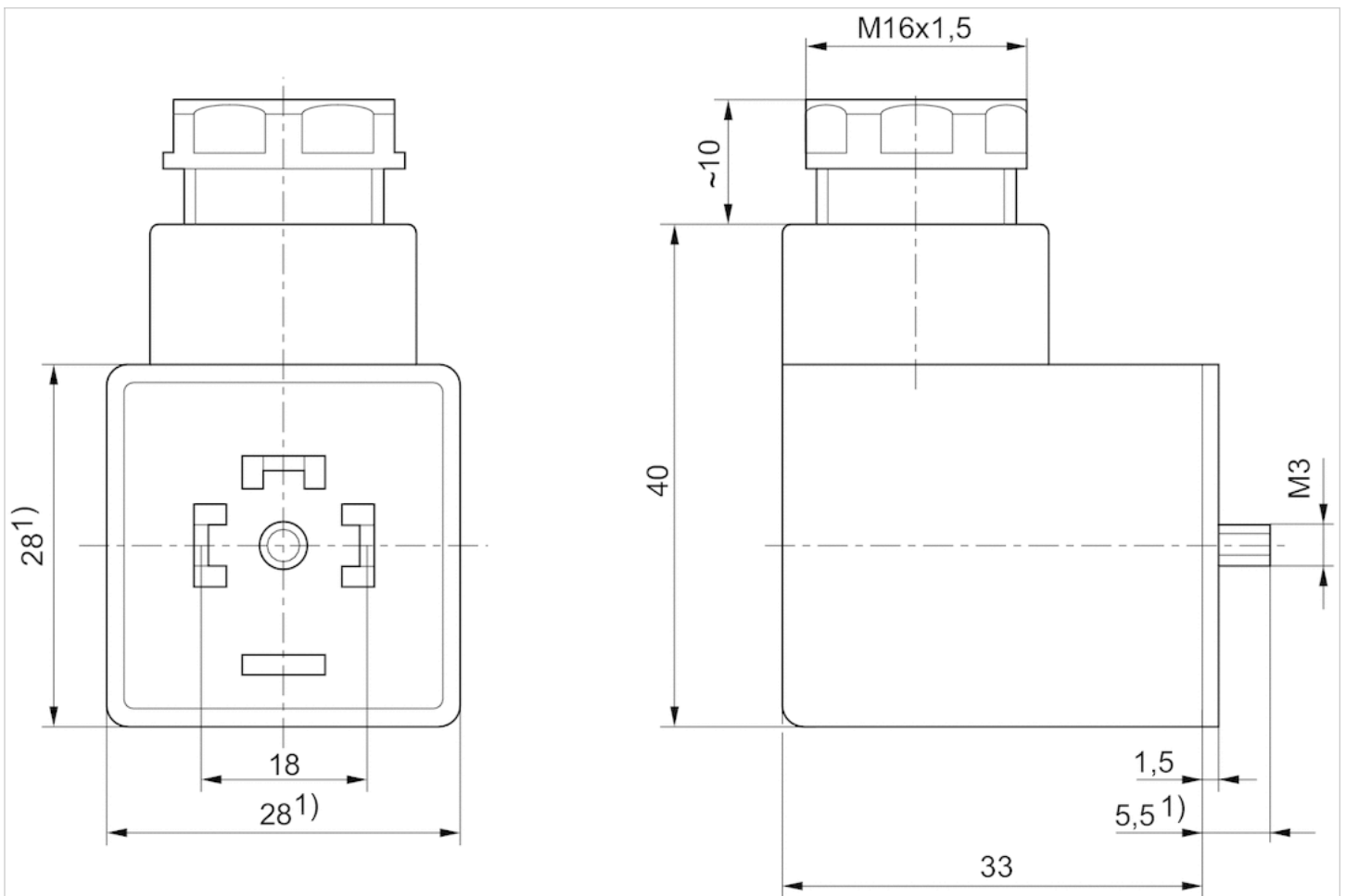
Material

Seals

caoutchouc/butadiene caoutchouc Silicone caoutchouc

Dimensions

Dimensions



1) Max.

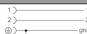


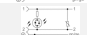

Valve plug connector, series CON-VP

- Socket form A 2+E angled 90°
- open cable ends 3-pin
- with cable
- unshielded



Ambient temperature min./max.	-20 ... 80 °C
Operational voltage	See table below
Protection class	IP67
Wire cross-section	0.75 mm ²
Mounting screw tightening torque	0.4 Nm
Weight	See table below

Technical data

Part No.		Operational voltage	Protective circuit	Contact assignment	LED status display
1834484160		230 V AC/DC	-	2+E	-
1834484162		24 V AC/DC	Z-diode	2+E	Yellow
1834484163		24 V AC/DC	Z-diode	2+E	Yellow
1834484164		230 V AC/DC	Varistor	2+E	Red
1834484165		230 V AC/DC	Varistor	2+E	Red

Part No.	Number of wires	Cable-Ø	Cable length	Weight	Fig.	
1834484160	3	5.9 mm	3 m	0.2 kg	Fig. 1	1)
1834484162	3	5.9 mm	3 m	0.2 kg	Fig. 2	-
1834484163	3	5.9 mm	5 m	0.31 kg	Fig. 2	-
1834484164	3	5.9 mm	3 m	0.2 kg	Fig. 2	-
1834484165	3	5.9 mm	5 m	0.31 kg	Fig. 2	-

1) Scope of delivery incl. flat gasket

Technical information

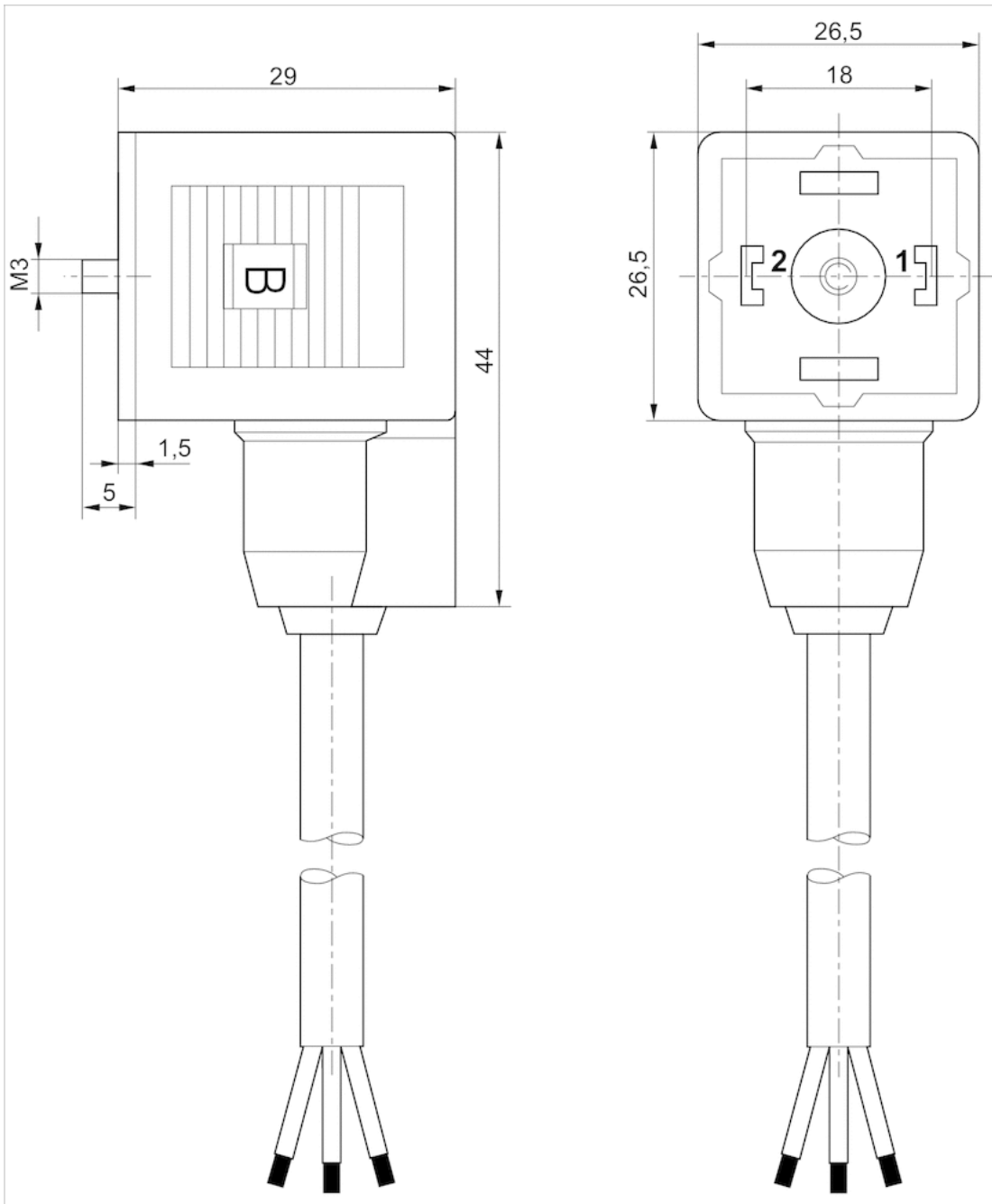
The specified protection class is only valid in assembled and tested state.

Technical information

Material	
Seals	caoutchouc/butadiene caoutchouc
Cable sheath	Polyvinyl chloride

Dimensions

Fig. 1

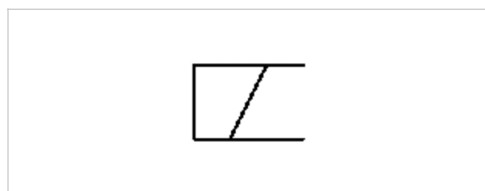


Coil, Series C01

- form A
- Coil width 30 mm
- Power consumption DC 2.7 W
- Holding power AC 1.6 VA



Connector standard electrical connections	EN 175301-803, form A Plug, 3-pin
Ambient temperature min./max.	50 °C
Protection class With valve plug connector/plug	IP65
Duty cycle ED	100 %
Compatibility index	14
Weight	0.096 kg



Technical data

Part No.	Operational voltage	Operational voltage	Operational voltage
	DC	AC 50 Hz	AC 60 Hz
R432011985	110 V	-	-
R432011986	220 V	-	-
R432011989	24 V	-	-
R432011990	-	24 V	24 V

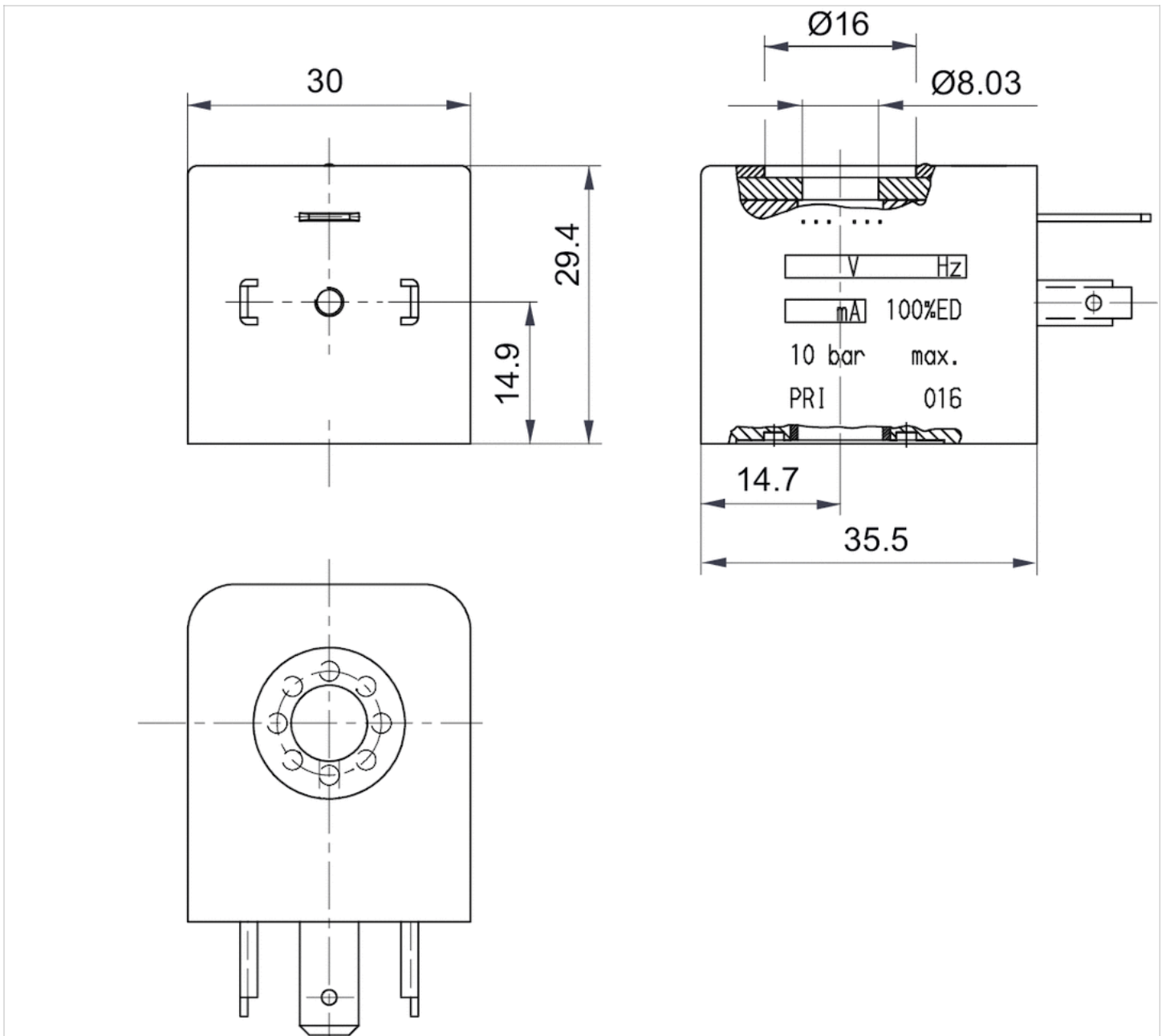
Part No.	Voltage tolerance	Power consumption	Holding power	Holding power
	DC	DC	AC 50 Hz	AC 60 Hz
R432011985	-10% / +10%	2.7 W	-	-
R432011986	-10% / +10%	2.7 W	-	-
R432011989	-10% / +10%	2.7 W	-	-
R432011990	-10% / +10%	-	1.6 VA	1.4 VA

Technical information

Material	
Housing	Thermoplastic elastomer

Dimensions

Dimensions



Efficient pneumatic solutions, our program: cylinders and drives, valves and valve systems, air supply management



Visit us: [Emerson.com/Aventics](https://www.emerson.com/Aventics)

Your local contact: [Emerson.com/contactus](https://www.emerson.com/contactus)



Emerson.com



[Facebook.com/EmersonAutomationSolutions](https://www.facebook.com/EmersonAutomationSolutions)



[LinkedIn.com/company/Emerson-Automation-Solutions](https://www.linkedin.com/company/Emerson-Automation-Solutions)



[Twitter.com/EMR_Automation](https://twitter.com/EMR_Automation)

An example configuration is depicted on the title page. The delivered product may thus vary from that in the illustration. Subject to change. This Document, as well as the data, specifications and other information set forth in it, are the exclusive property of AVENTICS GmbH. It may not be reproduced or given to third parties without its consent. Only use the AVENTICS products shown in industrial applications. Read the product documentation completely and carefully before using the product. Observe the applicable regulations and laws of the respective country. When integrating the product into applications, note the system manufacturer's specifications for safe use of the product. The data specified only serve to describe the product. No statements concerning a certain condition or suitability for a certain application can be derived from our information. The information given does not release the user from the obligation of own judgment and verification. It must be remembered that the products are subject to a natural process of wear and aging.

The Emerson logo is a trademark and service mark of Emerson Electric Co. Brand logotype are registered trademarks of one of the Emerson family of companies. All other marks are the property of their respective owners. © 2017 Emerson Electric Co. All rights reserved.
2019-03



CONSIDER IT SOLVED™